

SPECIFICATIONS



For Earth, For Life
Kubota

Model		R430		
Type of ROPS / FOPS		CANOPY / CAB		
Engine	Model	D1803-CR-TIE4-WL6		
	Emission certification	Tier 4		
	Output (SAE J1995 gross)	HP (kW)/rpm	47.6 (35.5) / 2600	
	Output (SAE J1349 net)	HP (kW)/rpm	45.2 (33.7) / 2600	
	Displacement	cu.in. (cc)	111 (1826)	
Transmission	Type	Hydrostatic transmission		
Dimensions	Overall length	ft.in. (mm)	14' 4" (4355)	
	Overall height	ft.in. (mm)	8' 3" (2515)	
	Overall width (w/o bucket)	ft.in. (mm)	5' (1520)	
	Ground clearance	in. (mm)	11" (280)	
Auxiliary circuit	Auxiliary hydraulic flow	gpm (ℓ/min.)	11.1 (42.1)	
	Auxiliary hydraulic pressure	psi (Mpa)	2697 (18.6)	
Drive system	Tire size	12.5 / 70-16-8PR		
	Travel speed	Low / High	mph (km/h)	
	Max. traction force	lbs. (kN)	5485 (24.4)	
	Front axle traction lock	Limited slip differential		
	Articulation angle	deg.	40 (each direction)	
	Angle of rear frame oscillation	deg.	±8	
	Loader clearance circle	ft.in. (mm)	12' 1" (3695)	
	Turning radius track circle	ft.in. (mm)	10' 1" (3085)	
	Brakes	Service	Enclosed wet disc	
		Parking	Spring applied hydraulic released wet disc	
Lifting specifications	Tipping load (straight)	w/ bucket (ISO14397-1)	lbs. (kg)	
		w/ pallet forks (ISO14397-1)	lbs. (kg)	
	Tipping load (full turn)	w/ bucket (ISO14397-1)	lbs. (kg)	
		w/ pallet forks (ISO14397-1)	lbs. (kg)	
	Rated operating capacity (50% of tipping load)	w/ bucket (ISO14397-1)	lbs. (kg)	
		w/ pallet forks (ISO14397-1/SAE J1197)	lbs. (kg)	
Operational specifications	Standard bucket capacity	yd ³	0.5	
	Breakout force	lbs. (kN)	5215 (23.2)	
	Lifting capacity at ground level	lbs. (kN)	3687 (16.4)	
	Loader raise / lower time	sec.	4.4 / 3.3	
Fuel tank	gal. (ℓ)	14.3 (54)		
Hydraulic system	gal. (ℓ)	15.3 (58)		
Hydraulic reservoir	gal. (ℓ)	11.1 (42)		
Operating weight (Including operator weight @ 165 lbs.)	lbs. (kg)	7758 (3519) / 8232 (3734)		

R

KUBOTA WHEEL LOADER R430

Versatile and powerful, the R430 is also compact, letting you do jobs in places that bigger wheel loaders can't go.



Kubota Tractor Corporation reserves the right to change the stated specifications without notice. This brochure is for descriptive purposes only and reasonable efforts were used to set forth the contained information; some items shown may be optional and some products shown may not be available at all dealerships. Kubota disclaims all representations and warranties, express or implied, or any liability from the use of this brochure. For complete warranty, safety and product information, consult your local Kubota dealer and the operator's manual. Power (HP/KW) and other specifications are based on various standards or recommended practices. For your safety, Kubota strongly recommends the use of a Rollover Protective Structure (ROPS) and seat belt in almost all applications. This brochure is intended for the United States and US territories only. For information regarding Kubota products or services outside these areas, see Kubota Corporation's global web site. Kubota does not provide parts, warranty or service for any Product which is re-sold or retailed in any country other than the country for which the Product(s) were designed or manufactured.



KUBOTA TRACTOR CORPORATION

1000 Kubota Drive, Grapevine, TX 76051 Tel 888-4 KUBOTA

Visit our web site at: www.kubotausa.com

©2023 Kubota Corporation



**Kubota
Genuine Parts**
for maximum
performance,
durability and
safety





For Earth, For Life
Kubota

R

KUBOTA WHEEL LOADER R540/R640

Kubota's next-generation R540 and R640 wheel loaders bring you comfort, easy operation, and all the power you need.



Kubota®

KUBOTA TRACTOR CORPORATION

1000 Kubota Drive, Grapevine, TX 76051 Tel 888-4 KUBOTA

Visit our web site at: www.kubotausa.com

©2022 Kubota Corporation



**Kubota
Genuine Parts**
for maximum
performance,
durability and
safety



Standard equipment

Safety

- 6 Tie down points
- Lift arm support
- Towing pin

Working equipment

- 2 Head lights (Headlights and Signal Lights)
- Rear combination lights (Turn signal, Tail light, Brake light, Backup light)

Operator's space

- Canopy (ROPS / FOPS Level1)
- Weight-adjustable suspension seat (PVC seat) with left arm rest and back rest
- Retractable seatbelt
- Adjustable right wrist rest
- Digital panel with diagnostic function
- Side mirrors
- 12V power outlet
- Tool storage space - Canopy models
- Tilt steering
- Cup holder

Engine/Fuel system

- KUBOTA original engine
- Double-element air cleaner

- Fuel level indication buzzer
- Fuel / water separator
- Separate fuel filter

Travel system

- Differential lock (100% on demand, front and rear)
- Wet type disc brake
- Negative brake (parking brake)
- Wide tire (R540: 365/70R18 / R640: 405/70R18)

Hydraulic system

- Hydrostatic transmission
- Multi-function operating lever with AUX proportional control
- Hydraulic lock switch
- Inching and brake pedal (left)
- Hydraulic quick coupler switch
- Loader float switch

Others

- Maintenance free battery
- Grease gun holder
- Radio ready

Optional equipment

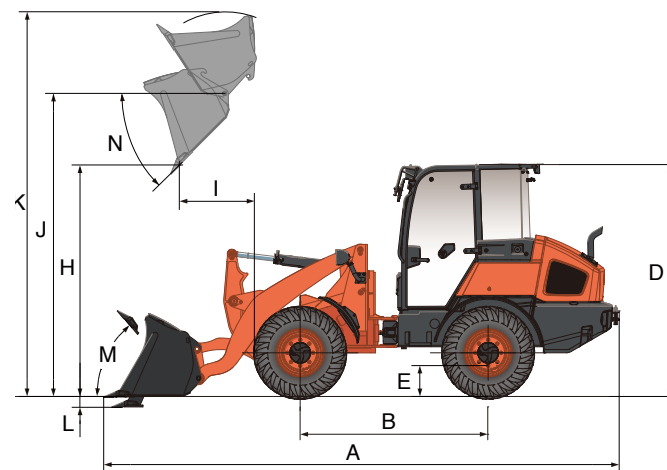
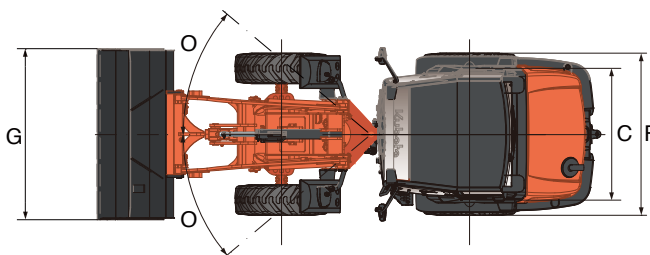
- Cab with air conditioner
- Beacon light
- Inching and brake pedal (right)
- Kubota Shockless Ride (KSR)
- Tool box for cab models
- Rear working LED lights
- Various buckets and other attachment
- Block heater
- 3" retractable seat belt
- Hydraulic Euro-type coupler
- Hydraulic SSL-type coupler
- Mechanical SSL-type coupler

Stay connected with KubotaNOW

KubotaNOW telematics gives you the right information, when and where you need it. To access KubotaNOW telematics information, download the myKubota app and stay connected to your Kubota machine. Get information like hours, fuel level, location, temperatures, error codes, and more.



Working range



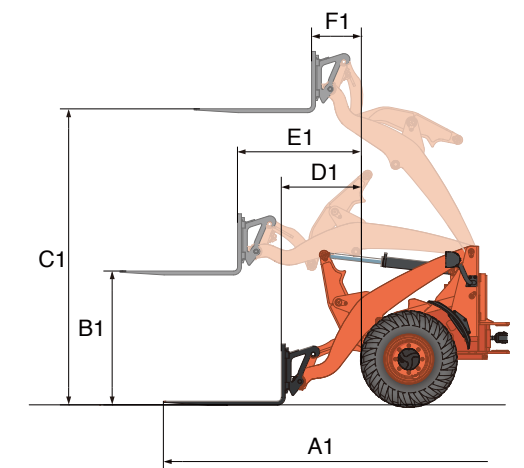
Model		R540	R640
A	Overall length	ft.in. (mm)	17' 9" (5400) / 18' 0" (5480)
B	Wheelbase	ft.in. (mm)	6' 7" (2000)
C	Tread	ft.in. (mm)	4' 5" (1355) / 4' 7" (1400)
D	Overall height (canopy / cabin)	ft.in. (mm)	8' 1" (2455) / 8' 1" (2475) / 8' 2" (2480) / 8' 2" (2500)
E	Ground clearance	in. (mm)	12.6" (320) / 13" (340)
F	Overall width (outside of tires)	ft.in. (mm)	5' 8" (1720) / 5' 11" (1805)
G	Overall width (bucket)	ft.in. (mm)	6' 2" (1867) / 6' 4" (1918)
H	Dumping clearance	ft.in. (mm)	8' 0" (2430) / 7' 10" (2385)
I	Dumping reach	ft.in. (mm)	2' 7" (780) / 2' 8" (825)
J	Max. hinge pin height	ft.in. (mm)	10' 7" (3230) / 10' 8" (3255)
K	Max. lifting height	ft.in. (mm)	13' 5" (4080) / 13' 8" (4175)
L	Digging depth	in. (mm)	6.1" (155) / 5.1" (130)
M	Tilt back angle (at traveling position)	Deg.	52
N	Dumping angle	Deg.	44
O	Articulation angle	Deg.	40

Specifications

Model		R540	R640	
Type of ROPS / FOPS		CANOPY / CAB		
		V2607-CR-E5-WL	V2607-CR-TE5-WL	
Engine		Tier4 Final		
	Model			
	Emission certification			
	Output (SAE J1995 gross)	HP (kW) @ rpm	50.9 (38.0) @ 2400 / 64.3 (48.0) @ 2400	
	Output (SAE J1349 net)	HP (kW) @ rpm	47.9 (35.7) @ 2400 / 61.1 (45.6) @ 2400	
	Displacement	cu.in. (cc)	160 (2615)	
Transmission	Type	Hydrostatic transmission		
Dimensions	Overall length	ft.in. (mm)	17' 9" (5400) / 18' 0" (5480)	
	Overall height	ft.in. (mm)	8' 1" (2455) / 8' 2" (2475) / 8' 2" (2480) / 8' 2" (2500)	
	Overall width (w/o bucket)	ft.in. (mm)	5' 8" (1720) / 5' 11" (1805)	
	Ground clearance	in. (mm)	12.6" (320) / 13" (340)	
Auxiliary circuit	Auxiliary hydraulic flow	gpm (ℓ/min.)	14.2 (54) / 17.8 (67.2)	
	Auxiliary hydraulic pressure	psi (Mpa)	2683 (18.5) / 2973 (20.5)	
Drive system	Tire size	365/70R18 / 405/70R18		
	Travel speed	mph (km/h)	0 - 12.4 (0 - 20.0)	
	Max. traction force	lbs. (kN)	6541 (29.1) / 8588 (38.2)	
	Front/Rear axle traction lock	Diff-lock (both axles)		
	Articulation angle	40 (each direction)		
	Angle of rear frame oscillation	±8		
	Loader clearance circle	ft.in. (mm)	13' 8" (4175) / 13' 10" (4221)	
	Turning radius track circle	ft.in. (mm)	11' 11" (3620) / 12' 0" (3664)	
	Brakes	Service	Enclosed wet disc	
		Parking	Spring applied hydraulic released wet disc	
Lifting specifications	Tipping load (straight)	with bucket	lbs. (kg)	6437 (2920) / 6768 (3070) / 7452 (3380) / 7760 (3520)
		with pallet forks	lbs. (kg)	4960 (2250) / 5202 (2360) / 5820 (2640) / 6063 (2750)
	Tipping load (full turn)	with bucket	lbs. (kg)	5644 (2560) / 5930 (2690) / 6526 (2960) / 6812 (3090)
		with pallet forks	lbs. (kg)	4365 (1980) / 4586 (2080) / 5115 (2320) / 5313 (2410)
	Operating capacity	with bucket (50%)	lbs. (kg)	2822 (1280) / 2965 (1345) / 3263 (1480) / 3406 (1545)
		with pallet forks (60%)	lbs. (kg)	2624 (1190) / 2756 (1250) / 3064 (1390) / 3197 (1450)
Operational specifications	Standard bucket capacity	yd³	0.85 / 0.94	
	Breakout force	lbs. (kN)	7761 (34.5) / 8526 (37.9)	
	Lifting capacity at ground level	lbs. (kN)	6767 (30.1) / 8161 (36.3)	
	Loader raise / lower time	sec.	6.5 / 4.5 / 5.8 / 3.9	
Fuel tank	gal. (ℓ)	18.5 (70)		
Hydraulic system	gal. (ℓ)	14.5 (55)		
Hydraulic reservoir	gal. (ℓ)	10.3 (39)		
Operating weight (Including operator weight @ 165lbs.)	lbs. (kg)	9888 (4485) / 10285 (4665) / 11177 (5070) / 11563 (5245)		

Pallet fork specifications

Model		R540	R640
Fork length		in. (mm)	
		48" (1220)	
A1	Overall length	ft.in. (mm)	19' 10" (6041) / 19' 9" (6026)
B1	Height of forks at Max. reach	ft.in. (mm)	4' 7" (1387) / 4' 8" (1412)
C1	Height of forks at Max. height	ft.in. (mm)	10' 0" (3053) / 10' 2" (3078)
D1	Reach at ground level	ft.in. (mm)	3' 1" (941) / 2' 11" (896)
E1	Max. reach	ft.in. (mm)	4' 8" (1410) / 4' 7" (1387)
F1	Reach at Max. height	ft.in. (mm)	2' 2" (647) / 2' 1" (622)



Note: The above dimensions are based on the machine with wide tires, SSL type quick coupler, standard bucket/pallet fork and ROPS/FOPS canopy and cabin.

Kubota Tractor Corporation reserves the right to change the stated specifications without notice. This brochure is for descriptive purposes only and reasonable efforts were used to set forth the contained information; some items shown may be optional and some products shown may not be available at all dealerships. Kubota disclaims all representations and warranties, express or implied, or any liability from the use of this brochure. For complete warranty, safety and product information, consult your local Kubota dealer and the operator's manual. Power (HP/KW) and other specifications are based on various standards or recommended practices. For your safety, Kubota strongly recommends the use of a Rollover Protective Structure (ROPS) and seat belt in almost all applications. This brochure is intended for the United States and US territories only. For information regarding Kubota products or services outside these areas, see Kubota Corporation's global web site. Kubota does not provide parts, warranty or service for any Product which is re-sold or retailed in any country other than the country for which the Product(s) were designed or manufactured.

★ All images shown are for brochure purposes only.
When operating the wheel loader, wear clothing and equipment in accordance to local legal and safety regulations.