



For Earth, For Life
Kubota

U

KUBOTA TIGHT TAIL SWING COMPACT EXCAVATOR **U27-4**

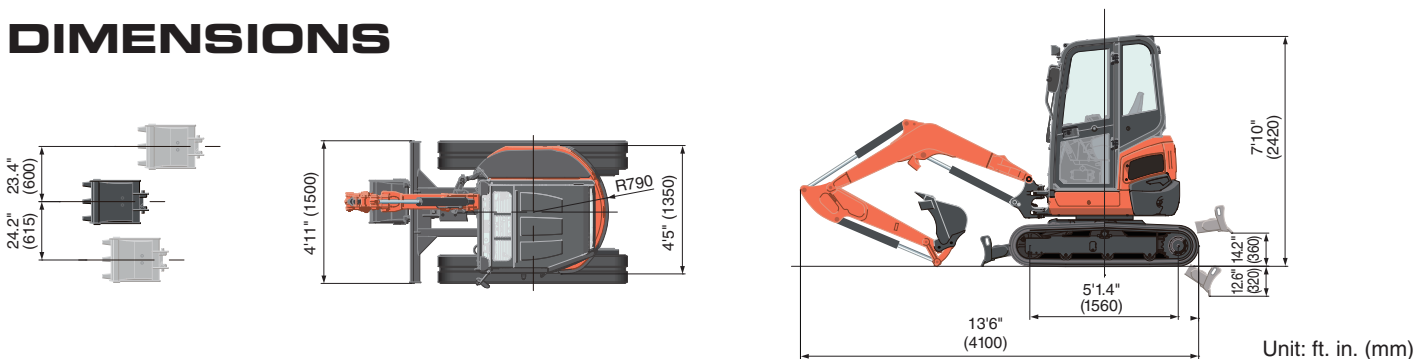
Compact and durable enough to tackle demanding tasks in tight working conditions with ease.



SPECIFICATIONS

Model		U27-4	
Type of ROPS/FOPS		Canopy / Cab	
Type of tracks		Rubber	
Engine	Model	Kubota D1105-BH	
	Output (SAE J1995 gross)	HP (kW)/rpm	20.9 (15.6) / 2400
	Output (SAE J1349 net)	HP (kW)/rpm	20.0 (14.9) / 2400
	Displacement	cu.in. (cc)	68.5 (1123)
Dimensions	Overall length	ft. in.(mm)	13'6" (4100)
	Overall height	Canopy / Cab ft. in.(mm)	7'11" (2420) / 7'10" (2400)
	Overall width	ft. in.(mm)	4'11" (1500)
	Min. ground clearance	in.(mm)	12.1 (307)
Hydraulic system	Pump capacity	gpm (ℓ/min.)	7.6 (28.8) × 2 / 5.1 (19.2) × 1
	Auxiliary hydraulic flow	gpm (ℓ/min.)	12.7 (48)
	Max. breakout force	Bucket / Arm lbs. (kgf)	7014 (3180) / 2777 (1260)
Drive system	Travel speed	Low / High mph (km/h)	1.6 (2.6) / 2.7 (4.3)
	Max. traction force	Low speed lbs. (kgf)	6767 (3069)
	Tumbler distance	ft. in.(mm)	5'1.4" (1560)
	Crawler length	ft. in.(mm)	6'6.3" (1990)
	Shoe width	Rubber in.(mm)	11.8 (300)
	Ground contact pressure	Canopy psi (kgf/cm ²)	3.321 (0.234)
Cab psi (kgf/cm ²)		3.481 (0.245)	
Swing system	Unit swing speed	rpm	9.9
	Boom swing angle	Left / Right degree	75 / 55
Blade	Dimension	Width ft. in.(mm)	4'11" (1500)
		Height ft. in.(mm)	11.8" (300)
	Max. lift above ground	in.(mm)	14.2" (360)
	Max. drop below ground	in.(mm)	12.6" (320)
Hydraulic oil (reservoir / system)		gal (ℓ)	5.8 (22) / 9.7 (37)
Fuel reservoir		gal (ℓ)	8.7 (33)
Operating weight (Includes operator weight 175lbs.)	Canopy	Rubber lbs. (kgf)	5688 (2580)
	Cab	Rubber lbs. (kgf)	5908 (2680)

DIMENSIONS



Kubota Tractor Corporation reserves the right to change the stated specifications without notice. This brochure is for descriptive purposes only and reasonable efforts were used to set forth the contained information; some items shown may be optional and some products shown may not be available at all dealerships. Kubota disclaims all representations and warranties, express or implied, or any liability from the use of this brochure. For complete warranty, safety and product information, consult your local Kubota dealer and the operator's manual. Power (HP/KW) and other specifications are based on various standards or recommended practices. For your safety, Kubota strongly recommends the use of a Rollover Protective Structure (ROPS) and seat belt in almost all applications. This brochure is intended for the United States and US territories only. For information regarding Kubota products or services outside these areas, see Kubota Corporation's global web site. Kubota does not provide parts, warranty or service for any Product which is re-sold or retailed in any country other than the country for which the Product(s) were designed or manufactured.

Kubota®

KUBOTA TRACTOR CORPORATION

1000 Kubota Drive, Grapevine, TX 76051 Tel 888-4 KUBOTA

Visit our web site at: www.kubotausa.com

©2021 Kubota Corporation



**Kubota
Genuine Parts**
for maximum
performance,
durability and
safety

