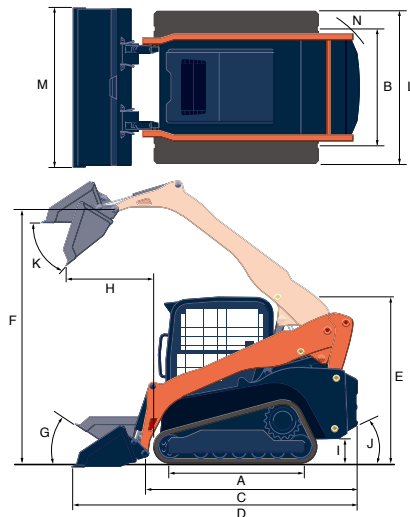


Specifications

Model		SVL65-2		
Type of operator station		Open CAB / Closed CAB		
Engine	Model	V2607-CR-TE4		
	Output (SAE J1995 gross)	HP (kW)/rpm	68.4 (51.0) / 2600	
	Output (SAE J1349 net)	HP (kW)/rpm	62.5 (46.6) / 2600 / 59.9 (44.7) / 2600	
	Displacement	cu.in. (cc)	159.6 (2615)	
	Cylinders		4	
	Bore x Stroke	in. (mm)	3.4 (87) x 4.3 (110)	
	Aspiration		Turbocharged	
Loader Performance	Rated operating capacity-35% tipping load	lbs. (kg)	2100 (953)	
	Rated operating capacity-50% tipping load	lbs. (kg)	3000 (1361)	
	Tipping load	lbs. (kg)	6000 (2722)	
	Breakout force	Bucket	lbf. (kg)	4614 (2093)
		Lift arm	lbf. (kg)	4266 (1935)
	Lift arm path		Vertical	
Undercarriage	Track Width	Standard	in. (mm)	12.6 (320)
		Wide	in. (mm)	15.0 (380)
	Ground pressure	Standard	psi	5.0
		Wide	psi	4.4
	Track rollers (per side)		4	
	Track ground contact length	in. (mm)	57.9 (1470)	
	Travel speed	Low	mph (km/h)	4.9 (7.8)
		High	mph (km/h)	7.1 (11.5)
Traction force	lbf. (kgf)	8406 (3813)		
Min. ground clearance	in. (mm)	9.2 (233)		
Hydraulic system	Aux. hydraulic flow	Std./High Flow gpm (ℓ/min.)	17.4 (65.8) / 27.0 (102.2)	
	Aux. hydraulic pressure	psi (kgf/cm ²)	3263 (229.4)	
Service refill capacities	Hydraulic system	gal. (ℓ)	13.2 (50)	
	Hydraulic tank	gal. (ℓ)	5.4 (20.3)	
	Fuel tank	gal. (ℓ)	21.7 (82)	
Operating weight (Includes operator weight 165lbs.)	lbs. (kg)	8135 (3690) / 8631 (3915)		

Dimensions



Model		SVL65-2	
A	Length of track on ground	in. (mm)	57.9 (1470)
B	Track gauge	in. (mm)	52.6 (1337)
C	Length w/o bucket	in. (mm)	107.3 (2725)
D	Length w/bucket on ground	in. (mm)	136.4 (3465)
E	Height to top of cab	in. (mm)	79.9 (2029)
F	Bucket hinge pin height at max. lift	in. (mm)	118.5 (3010)
G	Rollback angle at carry position	degree	30
H	Reach at max. lift and dump	in. (mm)	34.9 (886)
I	Ground clearance	in. (mm)	9.2 (233)
J	Departure angle	degree	30
K	Max. dump angle	degree	40
L	Vehicle width Standard track / Wide track	in. (mm)	65.2 (1657) / 67.6 (1717)
M	Width with bucket	in. (mm)	68 (1727) / 74 (1880)
N	Turning radius from center-machine rear	in. (mm)	57.1 (1451)

Kubota Tractor Corporation reserves the right to change the stated specifications without notice. This brochure is for descriptive purposes only and reasonable efforts were used to set forth the contained information; some items shown may be optional and some products shown may not be available at all dealerships. Kubota disclaims all representations and warranties, express or implied, or any liability from the use of this brochure. For complete warranty, safety and product information, consult your local Kubota dealer and the operator's manual. Power (HP/KW) and other specifications are based on various standards or recommended practices. For your safety, Kubota strongly recommends the use of a Rollover Protective Structure (ROPS) and seat belt in almost all applications. This brochure is intended for the United States and US territories only. For information regarding Kubota products or services outside these areas, see Kubota Corporation's global web site. Kubota does not provide parts, warranty or service for any Product which is re-sold or retailed in any country other than the country for which the Product(s) were designed or manufactured.



KUBOTA TRACTOR CORPORATION

1000 Kubota Drive, Grapevine, TX 76051 Tel 888-4 KUBOTA

Visit our web site at: www.kubotausa.com

©2022 Kubota Corporation



**Kubota
Genuine Parts**
for maximum
performance,
durability and
safety



For Earth, For Life

Kubota

SVL

KUBOTA COMPACT TRACK LOADER SVL65-2

Kubota's powerful and productive Compact Track Loader for those big jobs in small places.

