



For Earth, For Life  
**Kubota**

# R

## KUBOTA WHEEL LOADER R540/R640

Kubota's next-generation R540 and R640 wheel loaders bring you comfort, easy operation, and all the power you need.



# Kubota®

**KUBOTA TRACTOR CORPORATION**

1000 Kubota Drive, Grapevine, TX 76051 Tel 888-4 KUBOTA

Visit our web site at: [www.kubotausa.com](http://www.kubotausa.com)

©2022 Kubota Corporation



**Kubota  
Genuine Parts**  
for maximum  
performance,  
durability and  
safety



## Standard equipment

### Safety

- 6 Tie down points
- Lift arm support
- Towing pin

### Working equipment

- 2 Head lights (Headlights and Signal Lights)
- Rear combination lights (Turn signal, Tail light, Brake light, Backup light)

### Operator's space

- Canopy (ROPS / FOPS Level1)
- Weight-adjustable suspension seat (PVC seat) with left arm rest and back rest
- Retractable seatbelt
- Adjustable right wrist rest
- Digital panel with diagnostic function
- Side mirrors
- 12V power outlet
- Tool storage space - Canopy models
- Tilt steering
- Cup holder

### Engine/Fuel system

- KUBOTA original engine
- Double-element air cleaner

- Fuel level indication buzzer
- Fuel / water separator
- Separate fuel filter

### Travel system

- Differential lock (100% on demand, front and rear)
- Wet type disc brake
- Negative brake (parking brake)
- Wide tire (R540: 365/70R18 / R640: 405/70R18)

### Hydraulic system

- Hydrostatic transmission
- Multi-function operating lever with AUX proportional control
- Hydraulic lock switch
- Inching and brake pedal (left)
- Hydraulic quick coupler switch
- Loader float switch

### Others

- Maintenance free battery
- Grease gun holder
- Radio ready

## Optional equipment

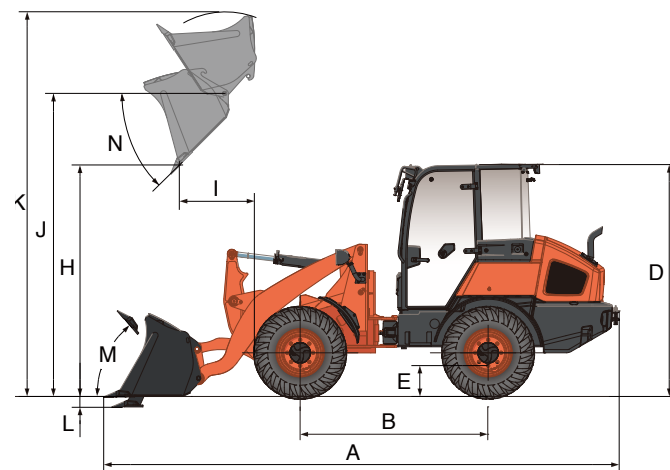
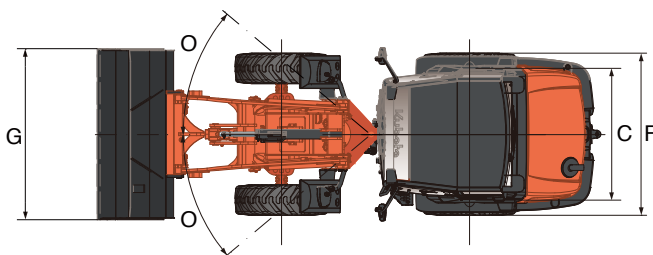
- Cab with air conditioner
- Beacon light
- Inching and brake pedal (right)
- Kubota Shockless Ride (KSR)
- Tool box for cab models
- Rear working LED lights
- Various buckets and other attachment
- Block heater
- 3" retractable seat belt
- Hydraulic Euro-type coupler
- Hydraulic SSL-type coupler
- Mechanical SSL-type coupler

### Stay connected with KubotaNOW

KubotaNOW telematics gives you the right information, when and where you need it. To access KubotaNOW telematics information, download the myKubota app and stay connected to your Kubota machine. Get information like hours, fuel level, location, temperatures, error codes, and more.



## Working range



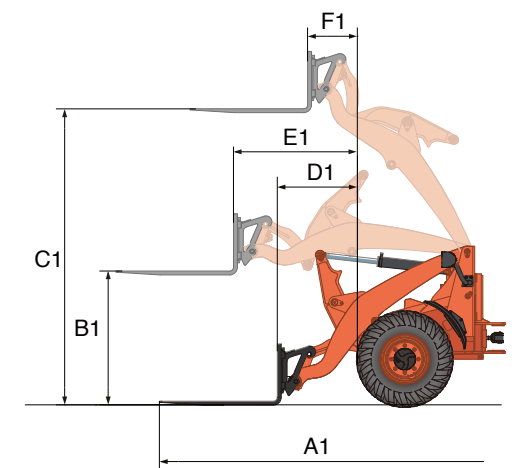
Model		R540	R640
A	Overall length	ft.in. (mm)	17' 9" (5400) / 18' 0" (5480)
B	Wheelbase	ft.in. (mm)	6' 7" (2000)
C	Tread	ft.in. (mm)	4' 5" (1355) / 4' 7" (1400)
D	Overall height (canopy / cabin)	ft.in. (mm)	8' 1" (2455) / 8' 1" (2475) / 8' 2" (2480) / 8' 2" (2500)
E	Ground clearance	in. (mm)	12.6" (320) / 13" (340)
F	Overall width (outside of tires)	ft.in. (mm)	5' 8" (1720) / 5' 11" (1805)
G	Overall width (bucket)	ft.in. (mm)	6' 2" (1867) / 6' 4" (1918)
H	Dumping clearance	ft.in. (mm)	8' 0" (2430) / 7' 10" (2385)
I	Dumping reach	ft.in. (mm)	2' 7" (780) / 2' 8" (825)
J	Max. hinge pin height	ft.in. (mm)	10' 7" (3230) / 10' 8" (3255)
K	Max. lifting height	ft.in. (mm)	13' 5" (4080) / 13' 8" (4175)
L	Digging depth	in. (mm)	6.1" (155) / 5.1" (130)
M	Tilt back angle (at traveling position)	Deg.	52
N	Dumping angle	Deg.	44
O	Articulation angle	Deg.	40

## Specifications

Model		R540	R640	
Type of ROPS / FOPS		CANOPY / CAB		
Model		V2607-CR-E5-WL	V2607-CR-TE5-WL	
Emission certification		Tier4 Final		
Engine	Output (SAE J1995 gross)	HP (kW) @ rpm	50.9 (38.0) @ 2400 / 64.3 (48.0) @ 2400	
	Output (SAE J1349 net)	HP (kW) @ rpm	47.9 (35.7) @ 2400 / 61.1 (45.6) @ 2400	
	Displacement	cu.in. (cc)	160 (2615)	
	Transmission		Hydrostatic transmission	
Dimensions	Overall length	ft.in. (mm)	17' 9" (5400) / 18' 0" (5480)	
	Overall height	ft.in. (mm)	8' 1" (2455) / 8' 2" (2475) / 8' 2" (2480) / 8' 2" (2500)	
	Overall width (w/o bucket)	ft.in. (mm)	5' 8" (1720) / 5' 11" (1805)	
	Ground clearance	in. (mm)	12.6" (320) / 13" (340)	
Auxiliary circuit	Auxiliary hydraulic flow	gpm (ℓ/min.)	14.2 (54) / 17.8 (67.2)	
	Auxiliary hydraulic pressure	psi (Mpa)	2683 (18.5) / 2973 (20.5)	
Drive system	Tire size		365/70R18 / 405/70R18	
	Travel speed	mph (km/h)	0 - 12.4 (0 - 20.0)	
	Max. traction force	lbs. (kN)	6541 (29.1) / 8588 (38.2)	
	Front/Rear axle traction lock		Diff-lock (both axles)	
	Articulation angle	deg.	40 (each direction)	
	Angle of rear frame oscillation	deg.	±8	
	Loader clearance circle	ft.in. (mm)	13' 8" (4175) / 13' 10" (4221)	
	Turning radius track circle	ft.in. (mm)	11' 11" (3620) / 12' 0" (3664)	
	Brakes	Service	Enclosed wet disc	
		Parking	Spring applied hydraulic released wet disc	
Lifting specifications	Tipping load (straight)	with bucket	lbs. (kg)	6437 (2920) / 6768 (3070) / 7452 (3380) / 7760 (3520)
		with pallet forks	lbs. (kg)	4960 (2250) / 5202 (2360) / 5820 (2640) / 6063 (2750)
	Tipping load (full turn)	with bucket	lbs. (kg)	5644 (2560) / 5930 (2690) / 6526 (2960) / 6812 (3090)
		with pallet forks	lbs. (kg)	4365 (1980) / 4586 (2080) / 5115 (2320) / 5313 (2410)
	Operating capacity	with bucket (50%)	lbs. (kg)	2822 (1280) / 2965 (1345) / 3263 (1480) / 3406 (1545)
		with pallet forks (60%)	lbs. (kg)	2624 (1190) / 2756 (1250) / 3064 (1390) / 3197 (1450)
Operational specifications	Standard bucket capacity	yd³	0.85 / 0.94	
	Breakout force	lbs. (kN)	7761 (34.5) / 8526 (37.9)	
	Lifting capacity at ground level	lbs. (kN)	6767 (30.1) / 8161 (36.3)	
	Loader raise / lower time	sec.	6.5 / 4.5 / 5.8 / 3.9	
Fuel tank	gal. (ℓ)	18.5 (70)		
Hydraulic system	gal. (ℓ)	14.5 (55)		
Hydraulic reservoir	gal. (ℓ)	10.3 (39)		
Operating weight (Including operator weight @ 165lbs.)	lbs. (kg)	9888 (4485) / 10285 (4665) / 11177 (5070) / 11563 (5245)		

## Pallet fork specifications

Model		R540	R640
Fork length		in. (mm)	
		48" (1220)	
A1	Overall length	ft.in. (mm)	19' 10" (6041) / 19' 9" (6026)
B1	Height of forks at Max. reach	ft.in. (mm)	4' 7" (1387) / 4' 8" (1412)
C1	Height of forks at Max. height	ft.in. (mm)	10' 0" (3053) / 10' 2" (3078)
D1	Reach at ground level	ft.in. (mm)	3' 1" (941) / 2' 11" (896)
E1	Max. reach	ft.in. (mm)	4' 8" (1410) / 4' 7" (1387)
F1	Reach at Max. height	ft.in. (mm)	2' 2" (647) / 2' 1" (622)



Note: The above dimensions are based on the machine with wide tires, SSL type quick coupler, standard bucket/pallet fork and ROPS/FOPS canopy and cabin.

Kubota Tractor Corporation reserves the right to change the stated specifications without notice. This brochure is for descriptive purposes only and reasonable efforts were used to set forth the contained information; some items shown may be optional and some products shown may not be available at all dealerships. Kubota disclaims all representations and warranties, express or implied, or any liability from the use of this brochure. For complete warranty, safety and product information, consult your local Kubota dealer and the operator's manual. Power (HP/KW) and other specifications are based on various standards or recommended practices. For your safety, Kubota strongly recommends the use of a Rollover Protective Structure (ROPS) and seat belt in almost all applications. This brochure is intended for the United States and US territories only. For information regarding Kubota products or services outside these areas, see Kubota Corporation's global web site. Kubota does not provide parts, warranty or service for any Product which is re-sold or retailed in any country other than the country for which the Product(s) were designed or manufactured.

★ All images shown are for brochure purposes only.  
When operating the wheel loader, wear clothing and equipment in accordance to local legal and safety regulations.