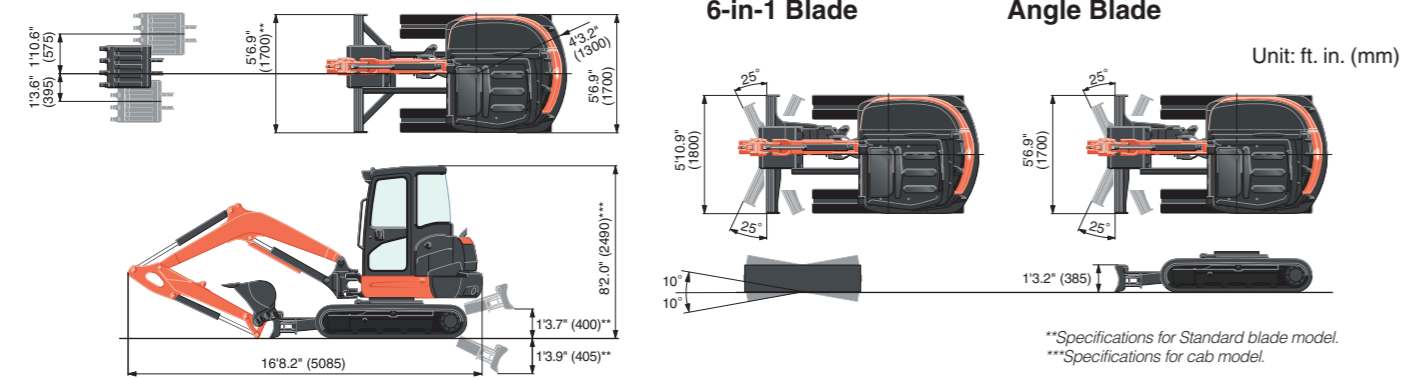


SPECIFICATIONS

Model		KX040-5	KX040-5 Angle Blade	KX040-5 6-in-1 Blade	
Type of ROPS / OPG (TOP Guard, Level I)		Canopy, Cabin			
Type of tracks		Rubber, Steel	Rubber, Steel	Rubber, Steel	
Engine	Model	Kubota D1803-CR-TE5-BH5 / D1803-CR-TE5-BH6			
	Output (SAE J1995 gross)	HP(kW) @ rpm	40.3 (30.1) @ 2200		
	Output (SAE J1349 net)	Canopy / Cab HP(kW) @ rpm	39.1 (29.2) / 38.9 (29.0) @ 2200		
	Displacement	cu. in. (cc)	111.4 (1826)		
Dimensions	Overall length	ft. in. (mm)	16'8.2" (5085)		
	Overall height	Canopy / Cab ft. in. (mm)	8'1.6" (2480) / 8'2.0" (2490)		
	Overall width	ft. in. (mm)	5'6.9" (1700)	5'10.9" (1800)	
	Min. ground clearance	Rubber / Steel ft. in. (mm)	1'1.0" (330) / 1'1.3" (338)		
	Pump capacity	GPM (ℓ/min)	29.1 (110.0)		
Hydraulic system	Auxiliary hydraulic flow	AUX1 / AUX2 GPM (ℓ/min)	17.2 (65.0) / 9.8 (37.0)		
	Max. breakout force	Bucket* / Arm lbf. (kgf)	9397 (4262) / 4114 (1866)		
	Travel speed	Low / High mph (km/h)	1.7 (2.7) / 3.1 (5.0)		
Drive system	Max. traction force	Low speed lbf. (kgf)	5868 (2661.5)		
	Tumbler distance	ft. in. (mm)	5'7.3" (1710)		
	Crawler length	Rubber / Steel ft. in. (mm)	7'1.6" (2175) / 7'3.2" (2215)		
	Shoe width	ft. in. (mm)	1'1.8" (350)		
	Ground contact pressure	Rubber Canopy / Cab psi (kPa)	4.5 (31.1) / 4.7 (32.1)	4.7 (32.6) / 4.9 (33.6)	4.9 (33.8) / 5.0 (34.8)
		Steel Canopy / Cab psi (kPa)	4.6 (31.5) / 4.7 (32.5)	4.8 (32.9) / 4.9 (33.9)	4.9 (34.1) / 5.1 (35.1)
Swing system	Unit swing speed	rpm	9.2		
	Boom swing angle	Canopy / Cab degree	70 / 55		
Blade	Dimensions	Width ft. in. (mm)	5'6.9" (1700)		
		Height ft. in. (mm)	1'1.8" (350)	1'3.2" (385)	
	Max. lift above ground	ft. in. (mm)	1'3.7" (400)	1'4.5" (420)	1'5.0" (433)
	Max. drop below ground	ft. in. (mm)	1'3.9" (405)	1'8.1" (510)	1'8.7" (527)
	Angle	Left / Right degree	-		
Tilt degree		25 / 25			
Hydraulic oil (Reservoir / System)	gal (ℓ)	9.8 (37) / 17.7 (65)			
Fuel reservoir	gal (ℓ)	17.4 (66.0)			
Operating weight (Including operator's weight @ 165 lbs.)	Rubber Canopy / Cab lbs. (kg)	9182 (4165) / 9480 (4300)	9623 (4365) / 9910 (4495)	9965 (4520) / 10251 (4650)	
	Steel Canopy / Cab lbs. (kg)	9348 (4240) / 9645 (4375)	9777 (4435) / 10075 (4570)	10119 (4590) / 10417 (4725)	

*Specification data when using powerhole.

DIMENSIONS



Kubota Tractor Corporation reserves the right to change the stated specifications without notice. This brochure is for descriptive purposes only and reasonable efforts were used to set forth the contained information; some items shown may be optional and some products shown may not be available at all dealerships. Kubota disclaims all representations and warranties, express or implied, or any liability from the use of this brochure. For complete warranty, safety and product information, consult your local Kubota dealer and the operator's manual. Power (HP/kW) and other specifications are based on various standards or recommended practices. For your safety, Kubota strongly recommends the use of a Rollover Protective Structure (ROPS) and seat belt in almost all applications. This brochure is intended for the United States and US territories only. For information regarding Kubota products or services outside these areas, see Kubota Corporation's global web site. Kubota does not provide parts, warranty or service for any Product which is re-sold or retailed in any country other than the country for which the Product(s) were designed or manufactured.



KUBOTA TRACTOR CORPORATION

1000 Kubota Drive, Grapevine, TX 76051 Tel 888-4 KUBOTA

Visit our web site at: www.kubotausa.com

©2024 Kubota Corporation



Kubota Genuine Parts
for excellent performance, durability and safety



For Earth, For Life
Kubota

KX

KUBOTA COMPACT EXCAVATOR KX040-5

The superior compact excavator that combines exceptional strength and versatility with performance and user-friendly operation.

